

NOTES:

1. ALL DIMENSIONS IN MM [INCH]
2. GENERAL TOLERANCE: X.X=±0.4
X.XX=±0.25
3. TERM. NOS. FOR REF. ONLY
4. CONTACT RATING: 4A @125VAC/28VDC, 2A @250VAC
5. DIELECTRIC STRENGTH: 1KV RMS min. at sea level
6. ELECTRICAL LIFE: 10,000 make-and-break cycles at full load.
7. MATERIALS:
CONTACTS: Silver plated CU (Q Contact material)
TERMINALS: GOLD Plated Cu (Q Contact material)
MOUNTING NUT: Nickel Plated zinc alloy
CONTACT SPRING: Plano Wire
KEYS: Brass with code no. A126
LOCK: Bright Ni plated zinc alloy with NI facing
TUMBLER Mechanism: 4-disc tumbler cylinder.
8. USES E-Switch Part NO. K200223 K0130N-A126
9. ▲ DENOTES CRITICAL PARAMETER.

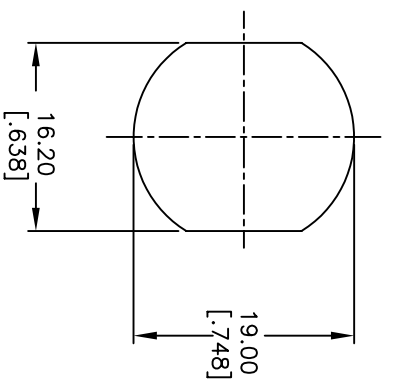
LEGEND

- =Detent Positions (45° or 90°)
- ⊙ =Key pull possible in these positions

CIRCUIT: SP (90° INDEXING)
CONTACT CONFIGURATION

SWITCH FUNCTION	
CONNECTED TERMINAL #	
POS. 1	POS. 2
8-1	1-3

RECOMMENDED PANEL LAYOUT



REV.	ECN No.	DESCRIPTION	DATE	CHKD
A	13121	RELEASED FOR PRODUCTION	5/8/03	AR

TITLE		SCALE	DATE	DR	DWG	REV
K0130N-A126, 3 WIRE ASSEMBLY		1.5:1	3/28/03	AR	XK0089P	A



THE INFORMATION CONTAINED IN THIS DOCUMENT IS PROPRIETARY TO E-SWITCH AND IS NOT TO BE COPIED OR TRANSFERRED